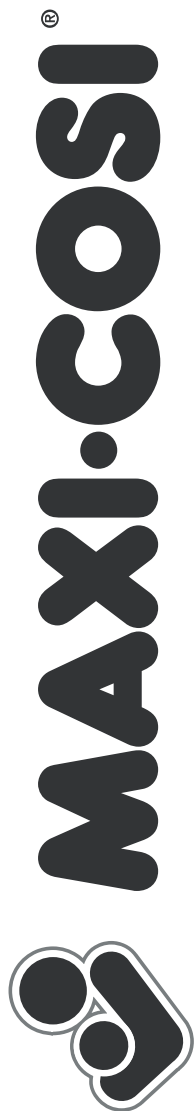


the secure world of Maxi-Cosi™



01443
User Guide

perle™
convenience stroller

©2007 Dorel Juvenile Group. All Rights Reserved.

www.maxi-cosi.com (800) 951-4113

Made in CHINA.

Styles and colors may vary.

Distributed by Dorel Juvenile Group, Inc., 2525 State St., Columbus, IN 47201-7494

Dorel Distribution Canada, 873 Hodge, St. Laurent, QC H4N 2B1

05/21/07 4358-4334A

Warnings

i

Table of Contents

Warnings	i
Parts and Features	1
To Unfold and Assemble	2
To Use	3-5
To Fold	6
To Attach Infant Car Seat	7
Care and Maintenance	8
Replaceable Parts	8
Warranty	8

WARNING

FOR THE SAFETY OF YOUR CHILD, PLEASE READ THE FOLLOWING WARNINGS AND ASSEMBLY INSTRUCTIONS AND KEEP FOR FUTURE REFERENCE.

- Adult assembly required.
- **NEVER LEAVE CHILD UNATTENDED. ALWAYS** keep child in view when in stroller.
- **AVOID SERIOUS INJURY** from falling or sliding out. **ALWAYS** use seat belt. Check frequently to make sure it is secure.
- **ALWAYS** keep fingers away from moving parts, when folding, unfolding or adjusting stroller to prevent finger entrapment.
- **ALWAYS** make sure stroller is **FULLY OPEN AND LOCKED** before using.
- **NEVER** put hot liquids in the cup holders.
- **ALWAYS** use the brakes when stroller is stopped.
- **ALWAYS** remove protective material and poly bags and dispose before assembly.
- **NEVER** use stroller on stairs or escalators.
- **NEVER** allow children to play with or hang onto the stroller.
- **NEVER** allow children to climb into the stroller unassisted. Stroller may tip over and injure child.

- **NEVER** place more than 1.0-LB. (0.5-kg) in the parent cup holder.
- **NEVER** place or hang parcels, bags or accessories on the handle or canopy. The stroller may tip over or the canopy may collapse.
- This product will become unstable if a parcel bag or rack is used when there is no provision for one.
- This product may become unstable if a parcel bag, other than the one recommended by the manufacturer is used.
- This product will become unstable if the manufacturer's recommended load is exceeded.
- **DO NOT** carry additional children, goods or accessories in or on this product except as recommended in the manufacturer's instructions.
- **NEVER** place more than 11-LBS. (5-kg) in the storage basket. If weight is exceeded, hazardous unstable conditions may exist.
- **STROLLER** is only for use with children up to 50-LBS. (22.73-kg), and **WHEN SEATED**, the midpoint of the child's head is at or below the top of the stroller seat.
- **ONLY** use this stroller with **ONE** child at a time.
- **STROLLER** is for use with children who can sit up unassisted, and is **NOT** recommended for newborns.

Parts and Features

1

- A** Canopy
- B** Parent cup holder
- C** Carry handle
- D** Car seat towers
- E** Fold lever
- F** Rear brakes
- G** Adjustable leg rest
- H** Front wheels (2)
- I** Swivel locks
- J** Rainshield

- Lay out and identify all parts.
- Do not return this product to the place of purchase. If any parts are missing, call Consumer Relations at (800) 951-4113. Or visit our website at www.maxi-cosi.com.
- Include the model number and manufacture date (found on the back of the stroller) and a brief description of the part.
- Keep these instructions for future use.
- Mico™ infant car seat sold separately.



perle™

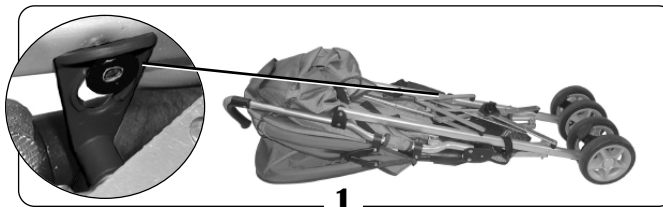
To Unfold and Assemble

2

1 Unlock Stroller

Release the stroller lock from the post at the side of the frame (Figure 1).

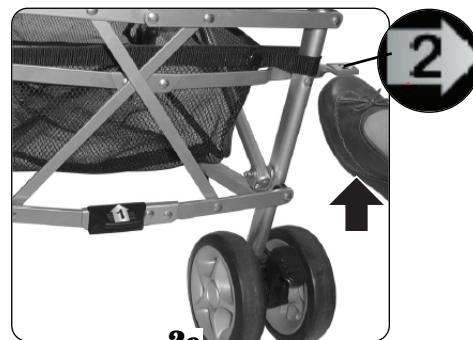
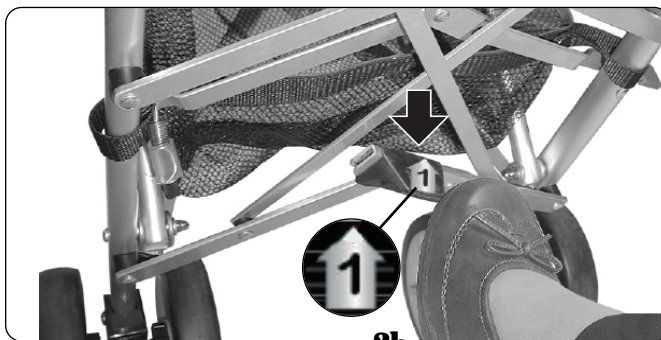
TIP: Press stroller frame down to ease release of stroller lock.



2 Unfold Stroller

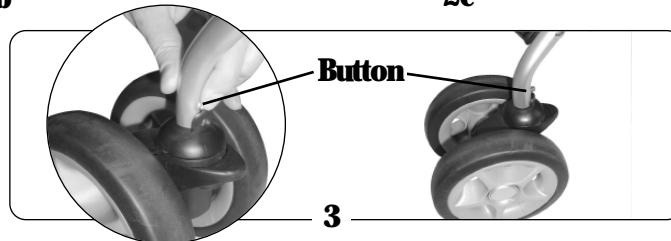
First, pull the handles all the way up (Figure 2), and lean stroller back (Figure 2a).

Press down center lock at the back of the stroller (labeled 1) (Figure 2b). Press up the side lever (labeled 2) to ensure that stroller is locked in the open position (Figure 2c).



3 Assemble Front Wheels

Align each front wheel to button on stroller frame (Figure 3). Push button in and slide wheel on until button emerges through hole on wheel.



perle™

4 Parent Cup Holder

Align cup holder with slot and slide down into position (Figure 4).

CAUTION:

- Never hang parcels or accessories from the cup holder as the stroller may tip over.
- Never place more than 1-LB (0.5-kg) in the cup holder.

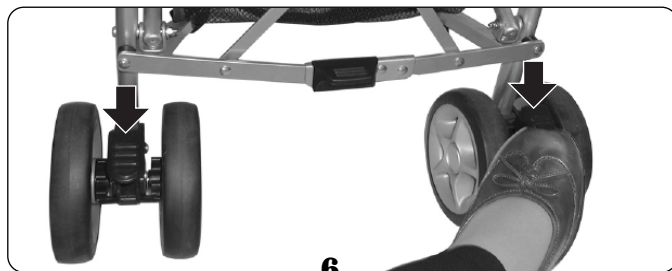
**5 Canopy**

To open canopy, pull canopy open and press down clips on each side (Figure 5).

To close, press up on center of clips and fold canopy back.

**6 Parking Brakes**

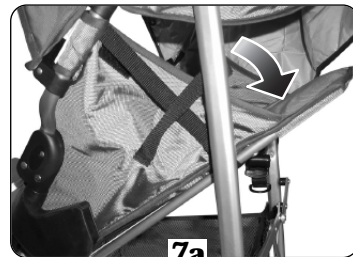
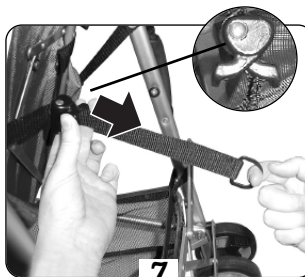
Always use the parking brakes, even when standing still for only a few moments! Push down on both pedals between the rear wheels to set the parking brakes (Figure 6). Push pedals up to release the parking brakes.

**7 Adjust Seat Position**

To recline seat back, squeeze release clip (Figure 7), pull away from the stroller and lower seat back (Figure 7a).

NOTE: DO NOT adjust the seat when child is in the stroller.

To raise seat back, hold the ring on the strap, squeeze release clip and push toward seat back.



8 Swivel Wheel

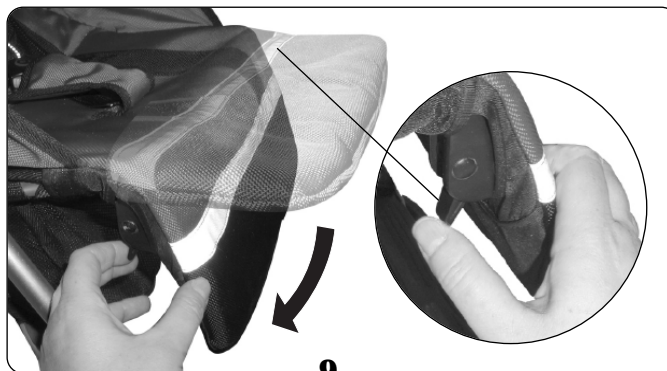
TIP: Lock the swivel wheel when using the stroller in a straight direction for a long period.

To lock, turn each front wheel into the backward position and push the swivel wheel locks downward until you hear a “click” (Figure 8).

To unlock, push the swivel wheel locks upward.

**9 Adjust Leg Rest**

Press both adjustment levers to lower leg rest (Figure 9). Lift leg rest to raise it.

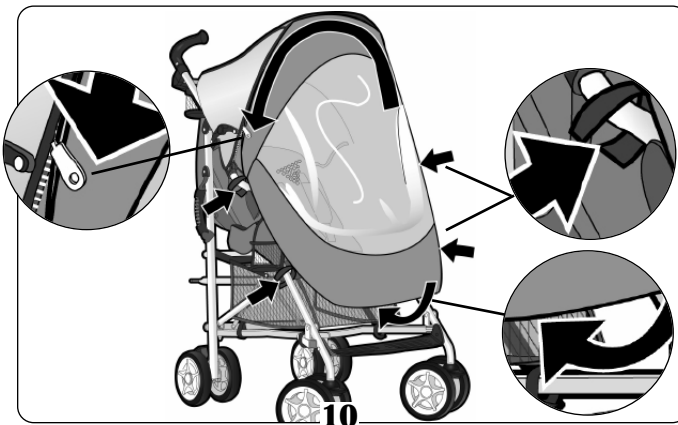


**⚠ WARNING –
SUFFOCATION
HAZARD**

- Be sure rainshield doesn't cover the child's face.

10 Rainshield

Open canopy. Zip top of rainshield to canopy. Pull bottom of rainshield underneath footrest. Secure four sets of hook and loop straps around stroller frame (Figure 10).



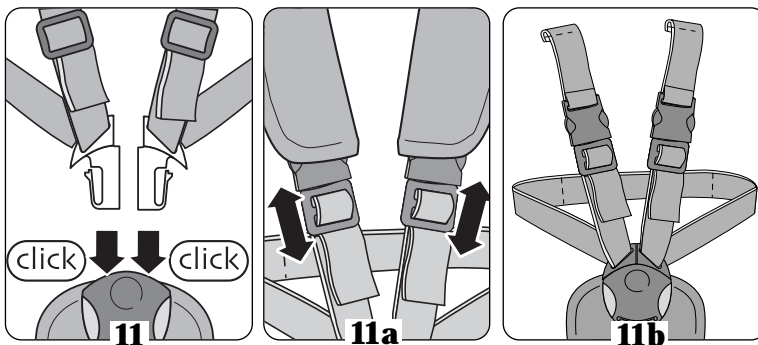
! WARNING

- **NEVER LEAVE CHILD UNATTENDED.**
- **AVOID SERIOUS INJURY** from falling or sliding out. Always use seat belt. Check frequently to make sure it is secure. Belts must be threaded exactly as shown (Figure 10b).
- Failure to follow these instructions could result in the serious injury or death of your child.

11 To Use Restraint System

Place your child in the stroller, with the crotch strap between the child's legs. Slide each clip into buckle until you hear a "click" (Figure 11).

Tighten straps snugly around your child (Figure 11a).

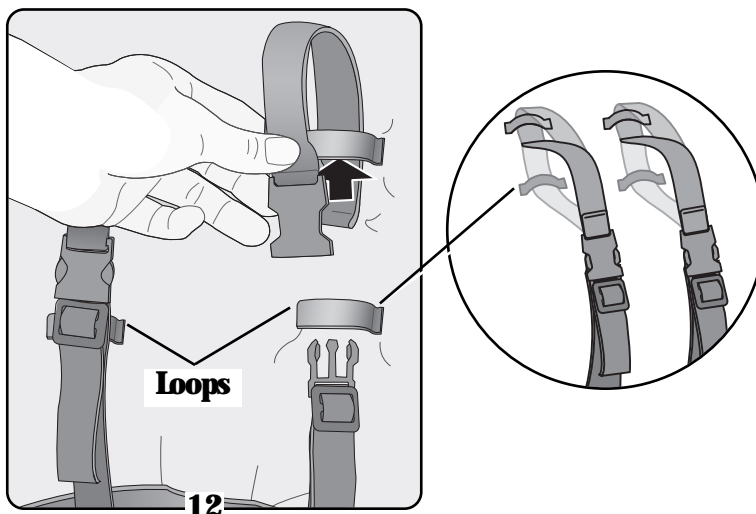


12 Adjust Restraint Height

The shoulder straps have three height positions for your growing child. Unclip shoulder straps. Push each upper strap through desired loop (Figure 12).

! WARNING:

- **NEVER** use stroller without **BOTH** restraint and crotch straps.



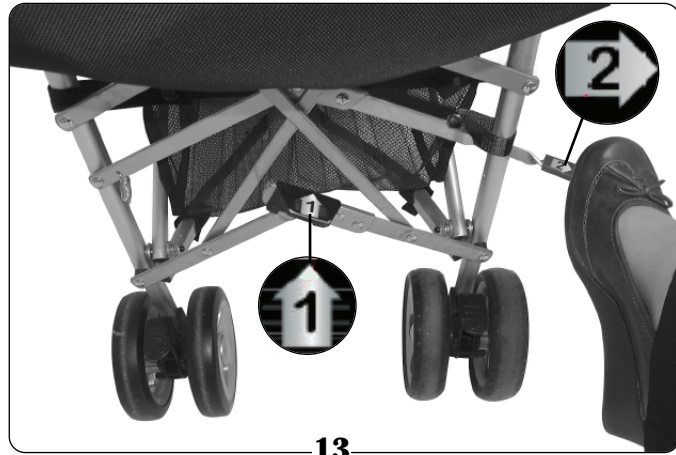
13 Fold Stroller



Lift the center lever (Figure 13).



Press down fold lever at side of stroller (Figure 13).



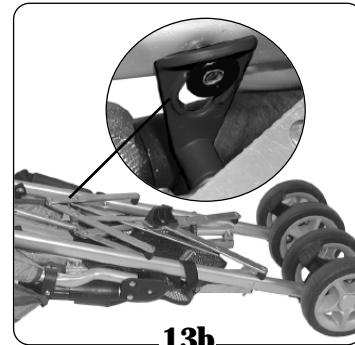
13

Push handles down to front wheels (Figure 13a).

Secure the stroller lock on the post at the side of the frame (Figure 13b).



13a



13b

TIP: Use the carry handle to carry the stroller (Figure 13c).



13c

⚠ WARNING

To avoid serious injury:

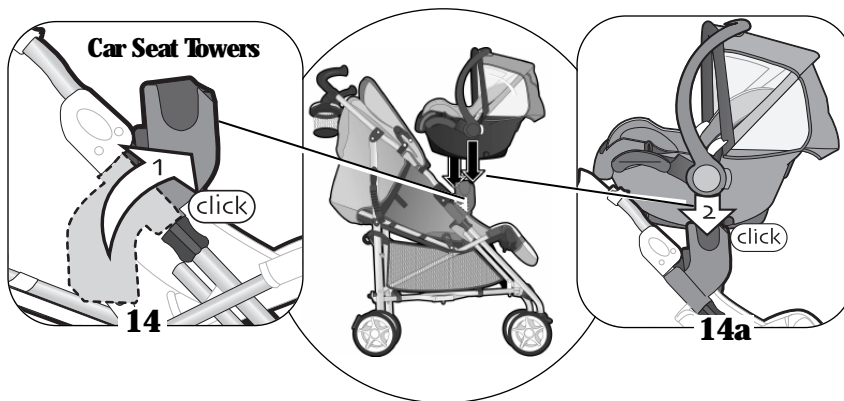
- Use **ONLY** Mico™ infant car seat (not included) with this stroller (model 01443).
- Please refer to the manufacturer's instructions for the use of your infant car seat.
- **ALWAYS** install car seat facing to the rear of the stroller.
- **ALWAYS** use the restraint system in the car seat.

14 To Attach Mico™ Infant Car Seat

Push the parking brakes down. Close canopy. Recline seat.

Rotate car seat towers upward until they "click" (Figure 14).

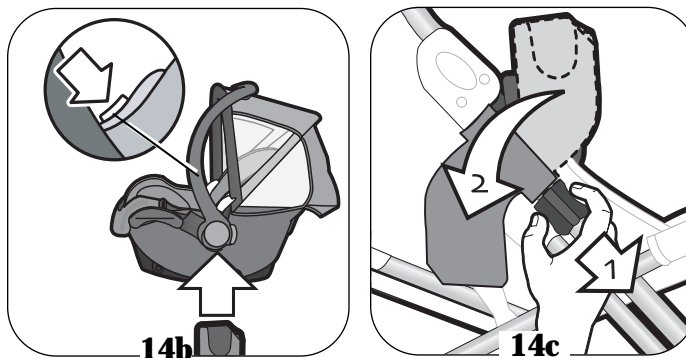
Car seat must be in rear-facing position. Lower car seat into car seat towers until both sides "click." Confirm that car seat is locked by pulling up on car seat handle (Figure 14a).



To Remove Mico™ Infant Car Seat

Press both buttons on car seat (Figure 14b). Lift car seat up.

Slide down releases and rotate car seat towers down (Figure 14c).



Care and Maintenance

- Spot clean pad with cold water and mild soap. Air dry.
- Periodically check for loose screws, worn parts, torn material or loose stitching. Tighten or replace parts as needed.

Replaceable Parts

- Front wheel assembly
 - Rainshield
 - Canopy
 - Parent cup holder
- To order parts call (800) 951-4113.
- Include the model number and manufacture date (found on the stroller) and a brief description of the part.

One-Year Limited Warranty

Dorel Juvenile Group, Inc. warrants to the original purchaser that this product (Perle™ Stroller), is free from material and workmanship defects when used under normal conditions for a period of one (1) year from the date of purchase. Should the product contain defects in material or workmanship Dorel Juvenile Group, Inc., will repair or replace the product, at our option, free of charge. Purchaser will be responsible for all costs associated with packaging and shipping the product to Dorel Juvenile Group Consumer Relations Department at the address noted on the front of this document and all other freight or insurance costs associated with the return. Dorel Juvenile Group will bear the cost of shipping the repaired or replaced product to the purchaser. Product should be returned in its original package accompanied by a proof of purchase, either a sales receipt or other proof that the product is within the warranty period. This warranty is void if the owner repairs or modifies the product or the product has been damaged as a result of misuse.

This warranty excludes any liability other than that expressly stated previously, including but not limited to, any incidental or consequential damages.

SOME STATES DO NOT ALLOW THE EXCLUSION OR LIMITATION OF INCIDENTAL OR CONSEQUENTIAL DAMAGES, SO THE ABOVE LIMITATION OR EXCLUSION MAY NOT APPLY TO YOU.

THIS WARRANTY GIVES YOU SPECIFIC LEGAL RIGHTS, AND YOU MAY ALSO HAVE OTHER RIGHTS THAT MAY VARY FROM STATE TO STATE.

